



Application

MBA, MRA, MPA rain covers protect motor from the impact of weather conditions (e.g. rain, snow, excessive sun exposure). Mounting with screws directly to the fan's shield.

Construction

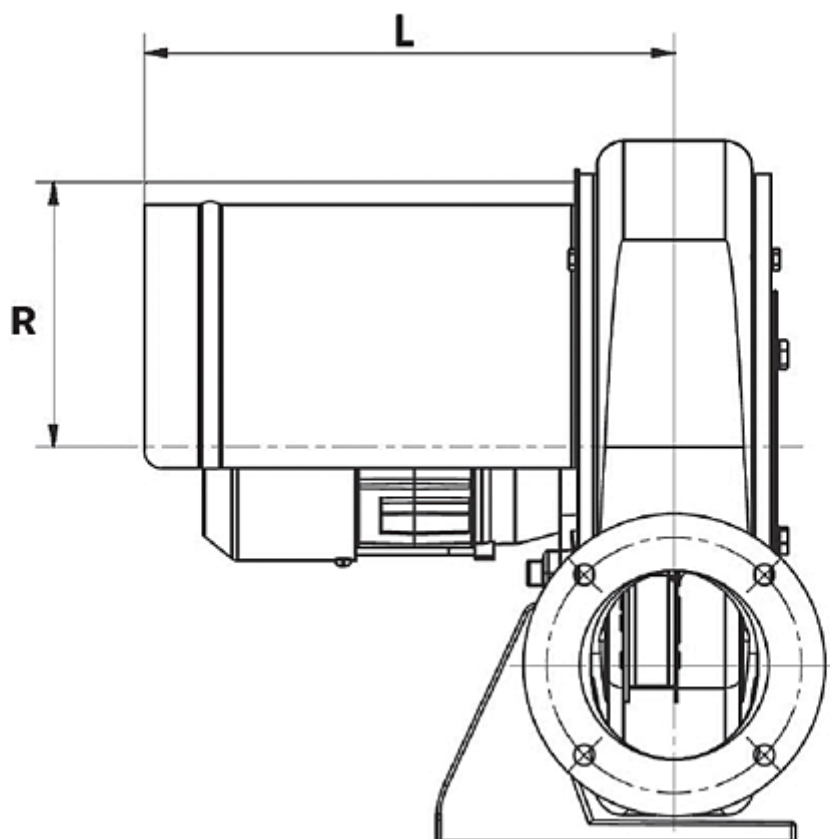
Covers designed for MBA, MRA and MPA fan range. Made entirely of high quality aluminum-zinc sheet with additional extrusion stiffening the construction. On request, there is a possibility of manufacturing covers from other materials.

Nimityksiä

Tekniset tiedot

Modell	LWA [db(A)]
MBA 25,30	
MBA 40	
MBA 75,110; MRA 200,260	
MBA 220	
MBA 300; MRA 300	
MBA 400; MRA 400	
MPA 160	
MPA 290,350	
MBA 600; MRA 600; MPA 600	

Dimensioner (mått i millimeter)



Model	L	R	article no.
MBA 25,30	230	119	25511591
MBA 40	230	143	25511592
MBA 75,110; MRA 200,260	280	168	25511593
MBA 220	315	199	25511594
MBA 300; MRA 300	270	200	25511595
MBA 400; MRA 400	355	220	25511596
MPA 160	345	162	25511598
MPA 290,350	360	196	25511599
MBA600;MRA600;MPA600	440	289	25511597

VENTUR tekniska ab, Göteborg

Manufakturgatan 7A
SE-417 07 Göteborg, Sweden

Tel. +46 31-23 50 80
fax +46 31-23 87 98

e-mail: info@ventur.se

VENTUR tekniska ab, Stockholm

Västberga Allé 1A
SE 126 30 HÄGERSTEN, Sweden

Tel. +46 8-534 101 90
fax +46 8-534 101 99

e-mail: info@ventur.se