

Application

Roof exhaust fans of the RF/EC type are designed for ventilating rooms with a low degree of air pollution. The fans are used in exhaust systems in houses, supermarkets, industrial rooms, shops, warehouses, garages, parking facilities and outbuildings.

Construction

In RF/EC fans, there are used motors with impellers having backwards curved blades: in sizes 125, 160 and 200 - made of plastic, in size 250 - made of aluminum sheet. The enclosure is made of aluminum-zinc sheet, canopy made of laminate.

Fans are equipped with a connector for ventilation duct. They are adapted for use in vertical position, for installation on flat roofs, after applying an appropriate roof mounting base can be installed on sloped roofs.

Electric motor

Highly efficient motors with integrated EC technology, which, thanks to the reduced demand for electricity (lower CO₂ emissions), minimize operation costs.

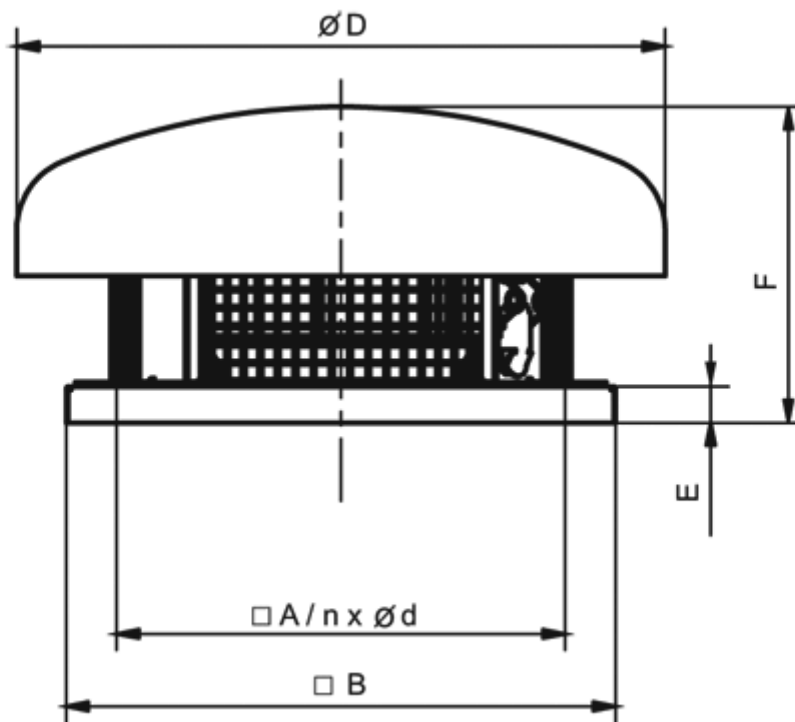
The fan motor is equipped with a 0-10VDC control input that allows variable rotation speed control. Insulation class - B (models from 125 to 250 / L), F (models from 250 / H to 500). Protection degree- IP44 (models from 125 to 250 / L), IP54 (models from 250 / H do 500). Power supply - single-phase 230V, 50Hz or 400V, depending on the model.

Nimityksiä

Tekniset tiedot

| Modell | Märkspänning [V] | Hastighet [r.p.m.] | P max [W] | I max [A] | Q max [m3/h] | P statistiskt [Pa] | LWA [db(A)] | Vikt [kg] | Temp. min. [°C] | Temp. max. [°C] |
|-------------|------------------|--------------------|-----------|-----------|--------------|--------------------|-------------|-----------|-----------------|-----------------|
| RF/EC-125/L | 230 | 2979 | 34 | 0.3 | 330 | 270 | 66 | 3.5 | -20 | 60 |
| RF/EC-125/H | 230 | 2973 | 67 | 0.5 | 560 | 380 | 67 | 3.5 | -20 | 60 |
| RF/EC-125/E | 230 | 4240 | 170 | 1.5 | 840 | 1080 | 76 | 3.6 | -20 | 60 |
| RF/EC-160/L | 230 | 2830 | 113 | 0.8 | 940 | 420 | 69 | 3.5 | -20 | 40 |
| RF/EC-160/H | 230 | 2860 | 170 | 1.5 | 1320 | 830 | 73 | 4 | -20 | 60 |
| RF/EC-200 | 230 | 2680 | 170 | 1.55 | 1500 | 700 | 70 | 5.5 | -20 | 60 |
| RF/EC-250/L | 230 | 2060 | 249 | 1.1 | 2050 | 410 | 72 | 9 | -20 | 60 |
| RF/EC-250/H | 230 | 2580 | 460 | 2.3 | 2700 | 780 | 78 | 10 | -20 | 60 |
| RF/EC-315 | 230 | 2010 | 368 | 1.58 | 3400 | 530 | 66 | 11 | -20 | 60 |
| RF/EC-315T | 400 | 2500 | 1100 | 2.1 | 5400 | 1020 | 77 | 12.7 | -20 | 60 |
| RF/EC-355T | 400 | 2100 | 1320 | 2.4 | 6100 | 870 | 73 | 21.5 | -20 | 60 |
| RF/EC-400T | 400 | 1800 | 1470 | 2.5 | 7200 | 825 | 77 | 28 | -20 | 60 |
| RF/EC-450T | 400 | 1400 | 1250 | 2.1 | 8000 | 610 | 73 | 30 | -20 | 60 |
| RF/EC-500T | 400 | 1230 | 1510 | 2.6 | 10100 | 580 | 72 | 38 | -20 | 40 |

Dimensioner (mått i millimeter)



| Model | A | B | Ød | ØD | H | H1 | M |
|-------|-----|-----|-----|------|-----|----|----|
| 125 | 300 | 245 | 125 | 354 | 153 | 20 | 10 |
| 160 | 300 | 245 | 160 | 354 | 153 | 20 | 10 |
| 200 | 300 | 245 | 200 | 403 | 265 | 20 | 10 |
| 250 | 435 | 330 | 250 | 457 | 278 | 20 | 12 |
| 315 | 435 | 330 | - | 552 | 412 | 20 | 12 |
| 355 | 560 | 450 | - | 552 | 431 | 40 | 12 |
| 400 | 560 | 450 | - | 750 | 469 | 40 | 12 |
| 450 | 630 | 535 | - | 750 | 499 | 40 | 12 |
| 500 | 710 | 590 | - | 1000 | 572 | 40 | 14 |

Lisävarusteita



Bullerdämpande stativ
RS



Bullerdämpande stativ
RSA



Bullerdämpande stativ
RSS



Runda backspjäll JCA



CAR



AKU-COMP



Tillbehör monteringsplåt
JPA



Fläns JBR



Rund flexibel dukstos
JAE



ACOP PL



TK-1



SQA



HIG-2



REB-ECOWATT

VENTUR tekniska ab, Göteborg

Manufakturvägen 7A
SE-417 07 Göteborg, Sweden

Tel. +46 31-23 50 80
fax +46 31-23 87 98

e-mail: info@ventur.se

VENTUR tekniska ab, Stockholm

Västberga Allé 1A
SE 126 30 HÄGERSTEN, Sweden

Tel. +46 8-534 101 90
fax +46 8-534 101 99

e-mail: info@ventur.se