

## Application

LBB low-pressure centrifugal fans are designed for the transport of gases with a low dust level, maximum dusting 0.3 g / m<sup>3</sup>.

They are used in various mechanical ventilation systems, for air forcing in production processes, ventilation systems, in cooling and air conditioning equipment, dryers.

## Construction

Low pressure centrifugal fans with direct drive. Housing welded from steel sheet, powder coated in blue RAL 5010.

The impellers with backward-curved blades, welded from aluminum sheet, dynamically balanced as per ISO 1940-1. As a standard, the fans are designed in LG configuration.

## Electric motor

Induction motors with external impeller are applied in LBB fans.

Motors designed for variable rotation speed control. Thermal overload protection in the motor's winding.

## Nimityksiä

1 2 3 4 5 6 7  
**L B B - 4 - 315/102 - 037 T**

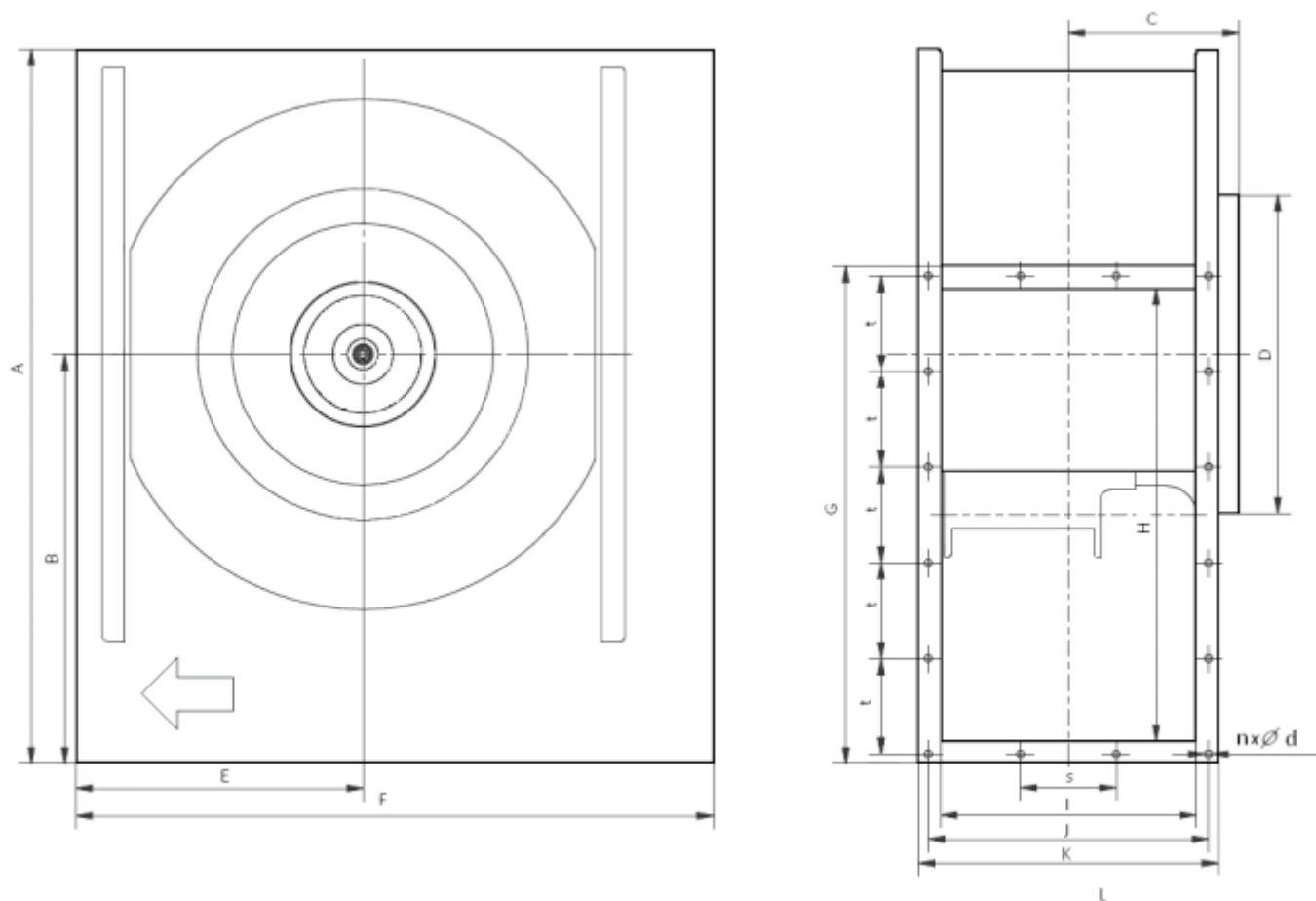
1. Low-pressure centrifugal fan
2. Type of rotor  
**R** - rotor with backward curved blades
3. Housing tin
4. Number of motor poles (rotation speed)
5. Model
6. Power  
**037** - 37 x 10 = 370W
7. Electric motor  
**T** Three-phase motor

## Tekniset tiedot

Modell	Drift	Märkspänning [V]	Hastighet [r.p.m.]	P max [W]	I max [A]	Q max [m <sup>3</sup> /h]	P statistiskt [Pa]	Temp. min. [°C]	Temp. max. [°C]
LBB-4-315S		230	1400	120	0.56	1300	310	-15	60
LBB-6-315S		230	965	37	0.18	800	120	-15	60
LBB-4-355S		230	1400	230	1.2	2300	410	-15	60
LBB-6-355S		230	875	70	0.33	1400	160	-15	60
LBB-4-400S		230	1415	370	1.64	3050	510	-15	70
LBB-4-400T	D	400	1415	320	1	3050	510	-15	70
LBB-6-400S		230	950	150	0.7	2100	225	-15	70
LBB-6-400T	D	400	950	120	0.4	2100	225	-15	70
LBB-4-450S		230	1350	540	2.4	4000	715	-15	70
LBB-4-450T	D	400	1215	650	1.2	3600	575	-15	50

Modell	Drift	Märkspänning [V]	Hastighet [r.p.m.]	P max [W]	I max [A]	Q max [m <sup>3</sup> /h]	P statiskt [Pa]	Temp. min. [°C]	Temp. max. [°C]
LBB-6-450S		230	850	260	1.2	2500	290	-15	70
LBB-6-450T	D	400	875	265	0.65	2500	290	-15	50
LBB-4-500S		230	1340	1050	4.7	6400	700	-15	55
LBB-4-500T	D	400	1350	1100	1.91	6400	700	-15	70
LBB-6-500S		230	815	320	1.4	4000	280	-15	60
LBB-6-500T	D	400	860	360	0.75	4000	280	-15	60
LBB-4-560T	D	400	1240	1700	3	8000	740	-15	50
LBB-6-560S		230	860	585	2.7	5500	350	-15	55
LBB-6-560T	D	400	860	500	1.1	5500	350	-15	70
LBB-4-630T	D	400	1300	3550	5.9	11000	880	-15	45
LBB-6-630T	D	400	875	960	1.9	7500	400	-15	70
LBB-6-710T	D	400	927	2200	5	13000	800	-15	60
LBB-8-710T	D	400	630	910	2.2	9000	270	-15	50
LBB-4-315T	Y	400	1400	100	0.48	1300	310	-15	60
LBB-4-355T	Y	400	1400	200	1.1	2300	410	-15	60
LBB-4-400T	Y	400	1065	235	0.7	2300	290	-15	70
LBB-6-400T	Y	400	690	105	0.3	1500	120	-15	70
LBB-4-450T	Y	400	860	370	0.64	2500	290	-15	50
LBB-6-450T	Y	400	690	165	0.3	2000	190	-15	50
LBB-4-500T	Y	400	1055	770	1.25	5000	420	-15	70
LBB-6-500T	Y	400	660	225	0.4	3050	170	-15	60
LBB-4-560T	Y	400	882	920	1.8	5500	350	-15	50
LBB-6-560T	Y	400	640	335	0.6	4000	200	-15	70
LBB-4-630T	Y	400	1015	2200	3.6	4000	540	-15	45
LBB-6-630T	Y	400	685	640	1.2	6000	240	-15	70
LBB-6-710T	Y	400	802	1700	2.9	11000	440	-15	60
LBB-8-710T	Y	400	465	510	1	6500	150	-15	50

## Dimensioner (mått i millimeter)



Model	A	B	C	D	E	F	G	H	I	J	K	s	t	n	d
315	570	334	161	250	210	490	415	355	212	247	272	120	96	14	9,2
355	640	375	206	250	250	560	460	400	280	315	340	150	143	12	9,2
400	720	415	354	315	285	630	510	450	258	293	318	150	120	14	9,2
450	800	464	224	355	325	710	560	500	345	380	405	150	132,5	14	9,2
500	890	517	218	400	355	780	630	560	325	365	395	150	120	16	11,1
560	990	575	265	450	400	890	700	630	355	395	425	150	134	16	11,1
630	1120	642	268	500	450	1000	780	710	400	440	470	150	150	16	11,1
710	1250	720	315	560	510	1120	870	800	450	490	520	125	140	22	11,1

### VENTUR tekniska ab, Göteborg

Manufakturvägen 7A  
SE-417 07 Göteborg, Sweden

Tel. +46 31-23 50 80  
fax +46 31-23 87 98

e-mail: info@ventur.se

### VENTUR tekniska ab, Stockholm

Västberga Allé 1A  
SE 126 30 HÄGERSTEN, Sweden

Tel. +46 8-534 101 90  
fax +46 8-534 101 99

e-mail: info@ventur.se