

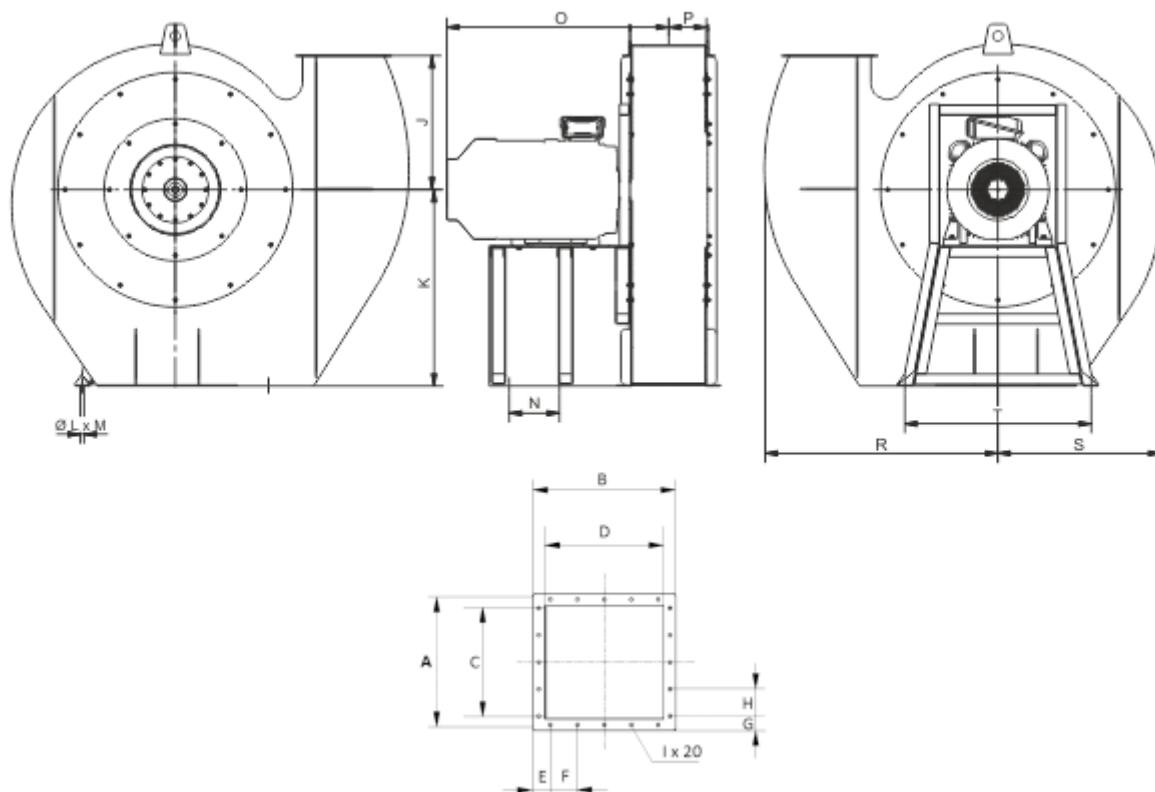


## Nimityksiä

## Tekniset tiedot

Modell	Märkspänning [V]	Hastighet [r.p.m.]	P max [W]	I max [A]	Q max [m <sup>3</sup> /h]	P statistiskt [Pa]	LWA [db(A)]	Vikt [kg]	Temp. min. [°C]	Temp. max. [°C]
HSD-2-760/38-1850T IE3	400	2930	18500	32.5	6000	8500	87	750	15	40
HSD-2-760/38-2200T IE3	400	2950	22000	39	11500	8500	87	750	15	40
HSD-2-840/42-3000T IE3	400	2945	30000	53	7500	10000	88	920	15	40
HSD-2-840/42-3700T IE3	400	2945	37000	66	15500	10000	88	920	15	40
HSD-2-920/46-4500T IE3	400	2955	45000	78	9000	12500	90	1060	15	40
HSD-2-920/46-5500T IE3	400	2955	55000	94	22000	12500	90	1120	15	40
HSD-2-1020/51-7500T IE3	400	2960	75000	128	13000	15500	91	1200	15	40
HSD-2-1020/51-9000T IE3	400	2960	90000	152	30000	15500	91	1450	15	40

## Dimensioner (mått i millimeter)



Model	A	B	C	D	E	F	G	H	I	J	K	L*	M*	N*	O*	P	R	S	T*
HSD-2-760/38-1850T	352	376	272	296	54	64	44	64	10	498	730	15	10	150	580	148	865	605	693
HSD-2-760/38-2200T	352	376	272	296	54	64	44	64	10	498	730	15	10	170	640	148	865	605	693
HSD-2-840/42-3000T	380	408	300	328	54	72	44	70	10	550	807	15	10	210	770	163	956	669	766
HSD-2-840/42-3700T	380	408	300	328	54	72	44	70	10	550	807	15	10	210	770	163	956	669	766
HSD-2-920/46-4500T	410	440	330	360	59	80	49	78	10	603	884	18	12	220	860	179	1047	732	839
HSD-2-920/46-5500T	410	440	330	360	59	80	49	78	10	603	884	18	12	220	960	179	1047	732	839
HSD-2-1020/51-7500T	445	478	365	398	59	90	49	90	11	668	980	18	12	250	1106	198	1161	812	930
HSD-2-1020/51-9000T	445	478	365	398	59	90	49	90	11	668	980	18	12	290	1146	198	1161	812	930

**VENTUR tekniska ab, Göteborg**

Manufakturgatan 7A  
SE-417 07 Göteborg, Sweden

Tel. +46 31-23 50 80  
fax +46 31-23 87 98

e-mail: info@ventur.se

**VENTUR tekniska ab, Stockholm**

Västberga Allé 1A  
SE 126 30 HÄGERSTEN, Sweden

Tel. +46 8-534 101 90  
fax +46 8-534 101 99

e-mail: info@ventur.se